

Studio® Makeup Station – 30" Model

The Wenger Studio Makeup Station will provide performers with a correct and convenient environment for applying makeup and creating other visual effects. The Studio Makeup Station components include a generous counter, a large mirror, a reflective storage shelf, untainted lighting and electrical outlets. The Studio Makeup Station is intended to be permanently attached to a wall and hard-wired.

- 187A009 30" Studio Makeup Station, eight lights with white accent panels
- 187A010 30" Studio Makeup Station, five lights with white accent panels
- Ten-year warranty

The Counter

- Construction: medium density fiberboard core and laminate overlay with a stain resistant surface and a matte white finish for light diffusion
- Features: rounded upper edges, integral pencil tray
- Size: 30"w x 20"d (762 x 508 mm) with a concave shape for mirror access 15" (381 mm) from counter edge to mirror surface
- Load Capacity: 75 lb (34 kg)
- Work surface is 29" (737 mm) from floor

The Mirror

- Construction: high quality glass and silvering laminated to a steel backer to prevent separation of shards if broken
- Size: 22" x 28" (559 mm x 711 mm)

The Mirror Surround

- Construction: extruded aluminum with white accents; sheet steel at the base of the mirror
- Powder-coat paint with a matte white finish for light diffusion

The Shelf

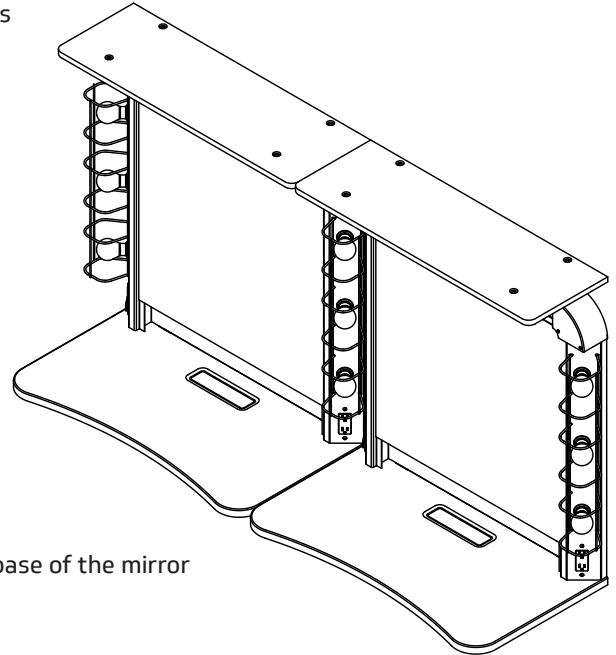
- Construction: medium density fiberboard core and laminate overlay with an easy to clean surface and a matte white finish for light diffusion
- Size: 30" wide x 12" deep (762 x 305 mm)
- Load Capacity: 25 lb (114 kg)
- Storage surface is 69" (1753 mm) from floor

The Lighting

- Eight medium base sockets provided for 40-60W incandescents or 10-15W swirl fluorescents; bulbs are protected by wire cages made from 3/16" (5 mm) diameter steel wire; cages are permanently mounted, but allow easy bulb replacement (bulbs not included)

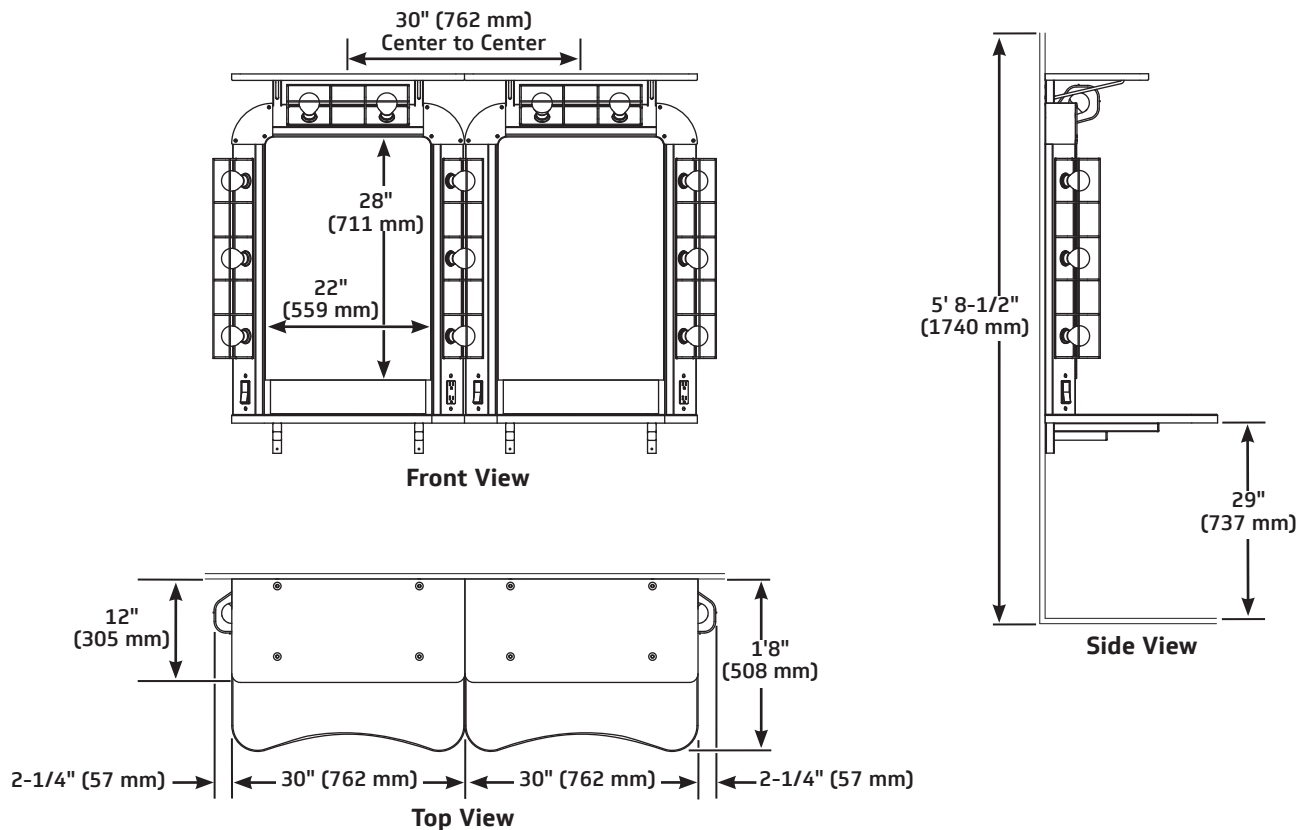
The Electrics

- A rocker type switch is mounted on the lower left side of the mirror surround. It controls the lights only
- A 20A rated duplex outlet with built in GFCI protection is mounted on the lower right side of the mirror surround
- 24" (610 mm) off flexible conduit and conductors exit the unit beneath the counter, next to the wall
- Note: Separate black conductors are provided for lights and outlet to allow circuit design according to anticipated use and local codes
- Entire product is UL® approved
- A licensed electrician is required to make any electrical connections



Installation

- Mounting bracket is attached to the wall, Studio Makeup Station is hung on the bracket
- Mounting bracket includes leveling for multi-unit installation
- When multiple units are installed, adjacent units share a vertical column of bulbs
- Physical Dimensions:
 - Overall width: 34-1/2" (876 mm) bulb cage-to-bulb cage
 - Overall height: 44" (1118 mm)
 - Overall depth: 20" (508 mm)
 - Multi-unit spacing: 30" (762 mm) center-to-center
 - Weight: 72 lb (32.7 kg)



Wenger

JRCLANCY

GEARBOSS

© 2024 Wenger Corporation
USA/2024-03

Minnesota Location Wenger Phone 800.4WENGER (493-6437) Wenger Worldwide +1.507.455.4100 | Parts & Service 800.887.7145 | wengercorp.com

GearBoss Phone 800.493.6437 | gearboss.com
555 Park Drive, PO Box 448 | Owatonna | MN 55060

New York Location

J.R. Clancy Phone 800.836.1885 JR Clancy Worldwide +1.315.451.3440 | jrclancy.com | 7041 Interstate Island Road | Syracuse | NY 13209